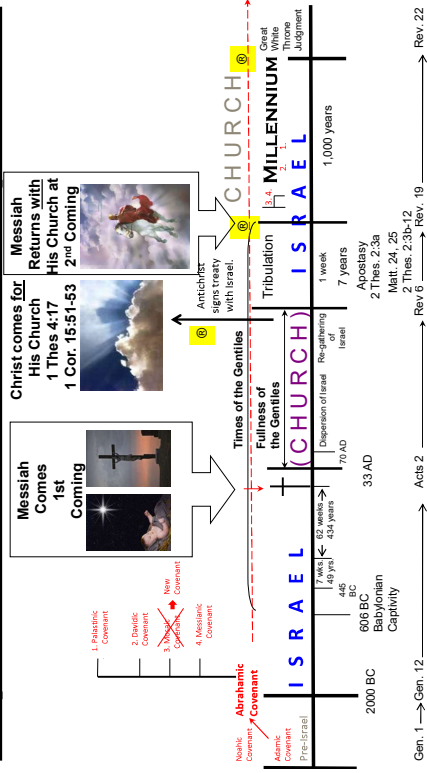




“Matthew 24:36-51”

January 7, 2018

### Comprehensive Biblical View of Future Prophetic Events

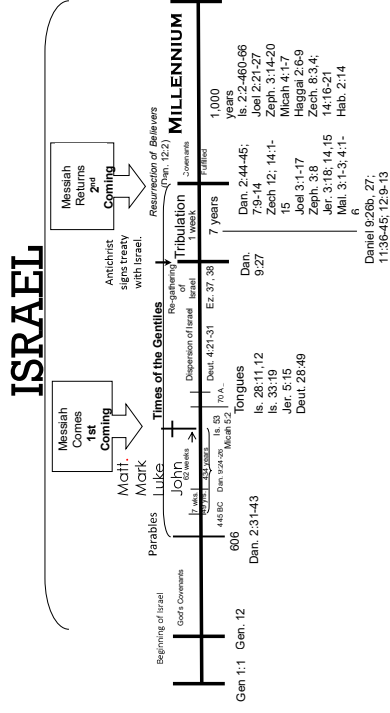


**Predictions** of the events of the Tribulation. **Matt. 24 (Church Age)**

**Fulfillment** of the events of the Tribulation. **Matt. 24**

33 A.D. → 7 Year Tribulation → ???

### Old Testament View of Future Prophetic Events



36 "But of that day and hour no one knows, not even the angels of heaven, nor the Son, but the Father alone.

37 "For the coming of the Son of Man will be just like the days of Noah.

38 "For as in those days before the flood they were eating and drinking, marrying and giving in marriage, until the day that Noah entered the ark,

39 and they did not understand until the flood came and took them all away; so will the coming of the Son of Man be.

40 "Then there will be two men in the field; one will be taken and one will be left.

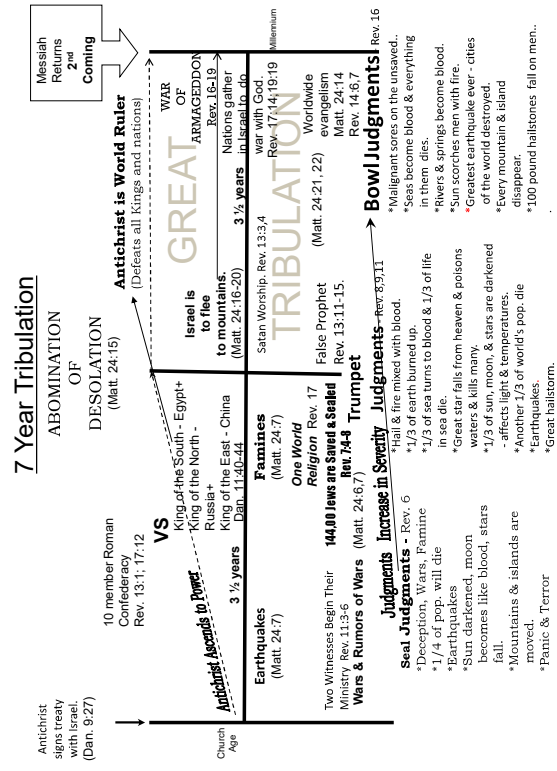
41 "Two women will be grinding at the mill; one will be taken and one will be left.

1 Peter 1:10-12  
 10 As to the salvation, the prophets who prophesied of the grace that would come to you made careful searches and inquiries, to follow.  
 11 seeking to know what person or time the Spirit of Christ within them was indicating as He predicted the sufferings of Christ and the glories to follow.  
 12 It was revealed to them that they were not serving themselves, but you, in these things which now have been announced to you through those who preached the gospel to you by the Holy Spirit sent from heaven - things into which angels long to look.

42 "Therefore be on the alert, for you do not know which day your Lord is coming.

43 "But be sure of this, that if the head of the house had known at what time of the night the thief was coming, he would have been on the alert and would not have allowed his house to be broken into.

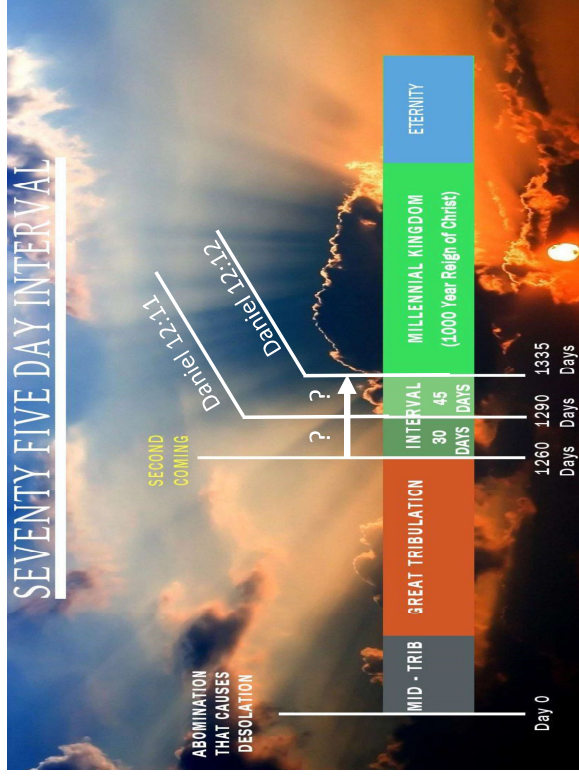
44 "For this reason you also must be ready; for the Son of Man is coming at an hour when you do not think He will.



### Dan 12:11-12

11 "From the time that the regular sacrifice is abolished and the abomination of desolation is set up, there will be 1,290 days.

12 "How blessed is he who keeps waiting and attains to the 1,335 days!



36 "But of that day and hour no one knows, not even the angels of heaven, nor the Son, but the Father alone.

37 "For the coming of the Son of Man will be just like the days of Noah.

38 "For as in those days before the flood they were eating and drinking, marrying and giving in marriage, until the day that Noah entered the ark,

39 and they did not understand until the flood came and took them all away; so will the coming of the Son of Man be.

40 "Then there will be two men in the field; one will be taken and one will be left.

41 "Two women will be grinding at the mill; one will be taken and one will be left.

36 "But of that day and hour no one knows, not even the angels of heaven, nor the Son, but the Father alone.

37 "For the coming of the Son of Man will be just like the days of Noah.

38 "For as in those days before the flood they were eating and drinking, marrying and giving in marriage, until the day that Noah entered the ark,

39 and they did not understand until the flood came and took them all away; so will the coming of the Son of Man be.

40 "Then there will be two men in the field; one will be taken and one will be left.

41 "Two women will be grinding at the mill; one will be taken and one will be left.

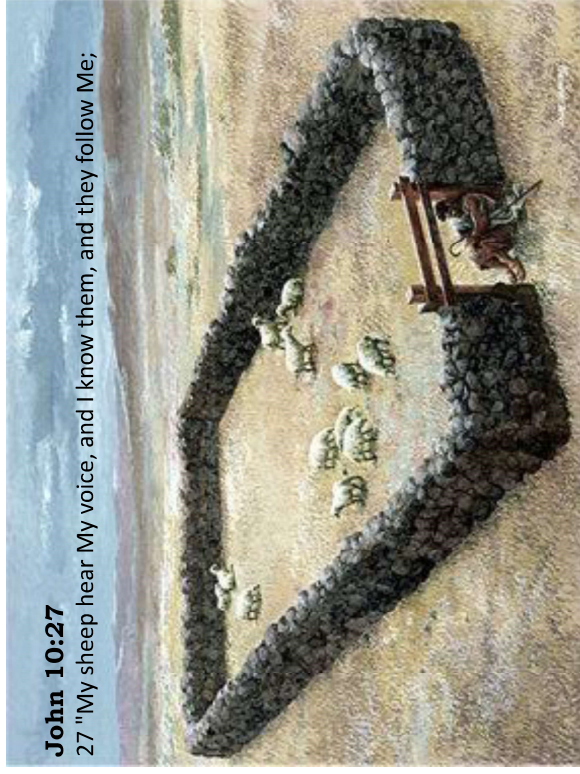


### **Matt 25:31-46**

- 31 "But when the Son of Man comes in His glory, and all the angels with Him, then He will sit on His glorious throne.
- 32 "All the nations will be gathered before Him; and He will separate them from one another, as the shepherd separates the sheep from the goats;
- 33 and He will put the sheep on His right, and the goats on the left.

### **1 Sam 25:2**

- 2 Now there was a man in Maon whose business was in Carmel; and the man was very rich, and he had three thousand sheep and a thousand goats.



### **John 10:27**

27 "My sheep hear My voice, and I know them, and they follow Me;

### **Mal 3:16-18**

- 16 Then those who feared the Lord spoke to one another, and the Lord gave attention and heard it, and a book of remembrance was written before Him for those who fear the Lord and who esteem His name.
- 17 "They will be Mine," says the Lord of hosts, "on the day that I prepare My own possession, and I will spare them as a man spares his own son who serves him."
- 18 So you will again distinguish between the righteous and the wicked, between one who serves God and one who does not serve Him.

- 34 "Then the King will say to those on His right, 'Come, you who are blessed of My Father, inherit the kingdom prepared for you from the foundation of the world.'
- 35 'For I was hungry, and you gave Me something to eat; I was thirsty, and you gave Me something to drink; I was a stranger, and you invited Me in;
- 36 naked, and you clothed Me; I was sick, and you visited Me; I was in prison, and you came to Me.'
- 37 "Then the righteous will answer Him, 'Lord, when did we see You hungry, and feed You, or thirsty, and give You something to drink?'
- 38 'And when did we see You a stranger, and invite You in, or naked, and clothe You?'
- 39 'When did we see You sick, or in prison, and come to You?'
- 40 "The King will answer and say to them, 'Truly I say to you, to the extent that you did it to one of these brothers of Mine, even the least of them, you did it to Me.'

## **Matt 12:46-50**

46 While He was still speaking to the crowds, behold, His mother and brothers were standing outside, seeking to speak to Him.

47 Someone said to Him, "Behold, Your mother and Your brothers are standing outside seeking to speak to You."

48 But Jesus answered the one who was telling Him and said, "Who is My mother and who are My brothers?"

49 And stretching out His hand toward His disciples, He said, "Behold My mother and My brothers!

50 "For whoever does the will of My Father who is in heaven, he is My brother and sister and mother."

- **Consider the huge risks undertaken by the sheep!**
- **The larger the risks, the stronger the faith which the works reveal.**

## **James 2:15-17**

15 If a brother or sister is without clothing and in need of daily food,

16 and one of you says to them, "Go in peace, be warmed and be filled," and yet you do not give them what is necessary for their body, what use is that?

17 Even so faith, if it has no works, is dead, being by itself.

41 "Then He will also say to those on His left, 'Depart from Me, accursed ones, into the eternal fire which has been prepared for the devil and his angels;

42 for I was hungry, and you gave Me nothing to eat; I was thirsty, and you gave Me nothing to drink;

43 I was a stranger, and you did not invite Me in; naked, and you did not clothe Me; sick, and in prison, and you did not visit Me.'

44 "Then they themselves also will answer, 'Lord, when did we see You hungry, or thirsty, or a stranger, or naked, or sick, or in prison, and did not take care of You?'

45 "Then He will answer them, 'Truly I say to you, to the extent that you did not do it to one of the least of these, you did not do it to Me.'

46 "These will go away into eternal punishment, but the righteous into eternal life."

40 "The King will answer and say to them, 'Truly I say to you, to the extent that you did it to one of these brothers of Mine, even the least of them, you did it to Me.'

**4 groups of "brethren":**

1. 144,000 (Rev. 7:4)
2. 2 witnesses (Rev. 11:3)
3. Jews fleeing for safety from the Antichrist (Matt. 24:16-20)
4. Gentile believers (Rev. 7:9)

Brethren's Problem	Cause	Sheep's Response
Lacking food and water	Unable to buy or sell (Rev. 13:17)	Given food and drink
Naked	Unable to buy or sell (Rev. 13:17)	Clothed
Stranger, foreigner without housing	Flight of Jewish believers (Mat. 24:15; Rev. 12:13)	Taken in, given a place to stay
Sick and in prison	Persecution of all believers, but especially Jewish believers (Rev. 7:3-8)	Visited!

## **Prov 19:17**

7 One who is gracious to a poor man lends to the Lord, And He will repay him for his good deed.

## **Ps 41:1-3**

1 Blessed is he who considers the poor;

The Lord will deliver him in time of trouble.

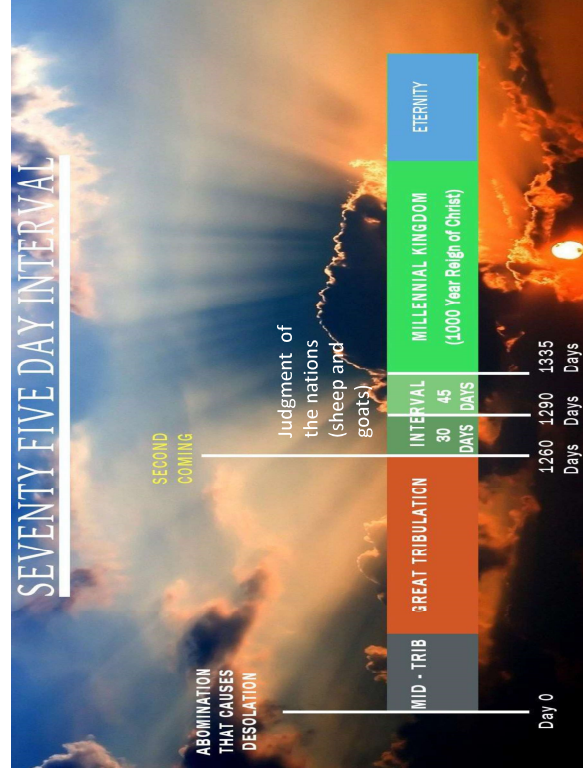
2 The Lord will preserve him and keep him alive, And he will be blessed on the earth;

You will not deliver him to the will of his enemies.

3 The Lord will strengthen him on his bed of illness; You will sustain him on his sickbed.

## **Matt 19:21-22**

21 Jesus said to him, "If you wish to be complete, go and sell your possessions and give to the poor, and you will have treasure in heaven; and come, follow Me."



### **Zech 14:1-4**

- 1 Behold, a day is coming for the Lord when the spoil taken from you will be divided among you.
- 2 For I will gather all the nations against Jerusalem to battle, and the city will be captured, the houses plundered, the women ravished and half of the city exiled, but the rest of the people will not be cut off from the city.
- 3 Then the Lord will go forth and fight against those nations, as when He fights on a day of battle.
- 4 In that day His feet will stand on the Mount of Olives, which is in front of Jerusalem on the east; and the Mount of Olives will be split in its middle from east to west by a very large valley, so that half of the mountain will move toward the north and the other half toward the south.

### **Therefore be:**

1. Alert (42-44)
2. Faithful (45-47)
3. Expectant (48-51)

### **Joel 3:1-2, 14-15**

- 1 "For behold, in those days and at that time, When I restore the fortunes of Judah and Jerusalem, 2 I will gather all the nations And bring them down to the valley of Jehoshaphat. Then I will enter into judgment with them there 14 Multitudes, multitudes in the valley of decision! For the day of the Lord is near in the valley of decision. 15 The sun and moon grow dark And the stars lose their brightness.

### **1. Alert**

- 42 "Therefore be on the alert, for you do not know which day your Lord is coming. 43 "But be sure of this, that if the head of the house had known at what time of the night the thief was coming, he would have been on the alert and would not have allowed his house to be broken into. 44 "For this reason you also must be ready; for the Son of Man is coming at an hour when you do not think He will.

### **2. Faithful**

- 45 "Who then is the faithful and sensible slave whom his master put in charge of his household to give them their food at the proper time? 46 "Blessed is that slave whom his master finds so doing when he comes. 47 "Truly I say to you that he will put him in charge of all his possessions.

### **Luke 19:11-27**

- 11 While they were listening to these things, Jesus went on to tell a parable, because He was near Jerusalem, and they supposed that the kingdom of God was going to appear immediately. 12 So He said, "A nobleman went to a distant country to receive a kingdom for himself, and then return. 13 "And he called ten of his slaves, and gave them ten minas and said to them, 'Do business with this until I come back.' 14 "But his citizens hated him and sent a delegation after him, saying, 'We do not want this man to reign over us.' 15 "When he returned, after receiving the kingdom, he ordered that these slaves, to whom he had given the money, be called to him so that he might know what business they had done. 16 "The first appeared, saying, 'Master, your mina has made ten minas more.' 17 "And he said to him, 'Well done, good slave, because you have been faithful in a very little thing, you are to be in authority over ten cities.' 18 "The second came, saying, 'Your mina, master, has made five minas.' 19 "And he said to him also, 'And you are to be over five cities.'



- 20 "Another came, saying, 'Master, here is your mina, which I kept put away in a handkerchief;
- 21 for I was afraid of you, because you are an exacting man; you take up what you did not lay down and reap what you did not sow.'
- 22 "He said to him, 'By your own words I will judge you, you worthless slave. Did you know that I am an exacting man, taking up what I did not lay down and reaping what I did not sow?
- 23 'Then why did you not put my money in the bank, and having come, I would have collected it with interest?'
- 24 "Then he said to the bystanders, 'Take the mina away from him and give it to the one who has the ten minas.'
- 25 "And they said to him, 'Master, he has ten minas already.'
- 26 "I tell you that to everyone who has, more shall be given, but from the one who does not have, even what he does have shall be taken away.



**Leila Naylor Morris**  
**Mrs. Charles H. Morris**

**1862-1929**

Leila Naylor was born in a small Ohio town on April 15, 1862. Her father was away from home serving in the Union army. The Civil War had torn the United States in two. Mr. Naylor survived the war but died while Leila was still a young girl. She learned at an early age to work hard and practiced piano at a neighbor's home. Even then she sang often during the day. Soon the songs she sang were songs of faith.

"When I was ten years old I was led to give my heart to God," she said. "I knew then that I needed a Savior. Three different years I went forward to the altar and prayed and prayed, until a man came and laid his hand on my head and said 'Why, little girl, God is here and ready to forgive your sins.'"

By the age of twelve she was playing organ for Wednesday prayer meetings at the Methodist Church. Times were often hard after the death of her father, and so she became a helper in her mother's hat shop by sewing and tailoring. She was nineteen when she married Charles Morris, the son of a wealthy family, and became a member—and the organist—of the Methodist Church that he attended. They would have four children, two girls and two boys. Their home became a hub for the children of McConnellsville, who used its well-stocked library while preparing their homework.



**Leila Naylor Morris**  
**Mrs. Charles H. Morris**

**1862-1929**

Leila composed the first of many hymns. Her choir director and others encouraged her to have a few published. Henry Gilmour, who wrote and published hymns himself, was impressed and saw to it that hers got printed. She would write over a thousand hymns and gospel songs, including both words and music—all published under the name C.H. Morris. Some remain well-known, among them "Sweeter as the Years Go by" and "Let Jesus Come into Your Heart." Her accomplishments are all the more remarkable considering that for most of her adult life Leila Morris was blind. When her eyes began to fail, in 1913, her son built a 28-foot blackboard with oversized staff lines so that she could continue composing. One of her hymns deals with the coming of Christ. She asks a penetrating question, a question every believer should ask everyday. The hymn that she wrote . . .

## 2. Faithful

- 45 "Who then is the faithful and sensible slave whom his master put in charge of his household to give them their food at the proper time?
- 46 "Blessed is that slave whom his master finds so doing when he comes.
- 47 "Truly I say to you that he will put him in charge of all his possessions.
3. **Expectant**
- 48 "But if that evil slave says in his heart, 'My master is not coming for a long time,'
- 49 and begins to beat his fellow slaves and eat and drink with drunkards;
- 50 the master of that slave will come on a day when he does not expect him and at an hour which he does not know,
- 51 and will cut him in pieces and assign him a place with the hypocrites; in that place there will be weeping and gnashing of teeth.

## WHAT IF IT WERE TODAY?

1. Jesus is coming to earth again; what if it were today?  
Coming in power and love to reign; what if it were today?  
Coming to claim His chosen Bride, all the redeemed and purified,  
Over this whole earth scattered wide; what if it were today?

### Refrain

**Glory, glory! Joy to my heart 'twill bring.**

**Glory, glory! When we shall crown Him King.**

**Glory, glory! Haste to prepare the way;**

**Glory, glory! Jesus will come some day.**

2. Satan's dominion will then be o'er, O that it were today!  
Sorrow and sighing shall be no more, O that it were today!  
Then shall the dead in Christ arise, caught up to meet Him in the skies,  
When shall these glories meet our eyes? What if it were today?

### Refrain

3. Faithful and true would He find us here if He should come today?  
Watching in gladness and not in fear, if He should come today?

Signs of His coming multiply; morning light breaks in eastern sky.

Watch, for the time is drawing nigh; what if it were today?

### Refrain